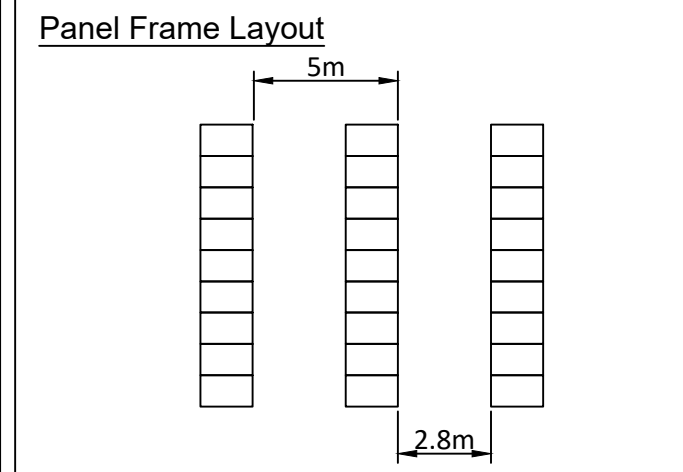
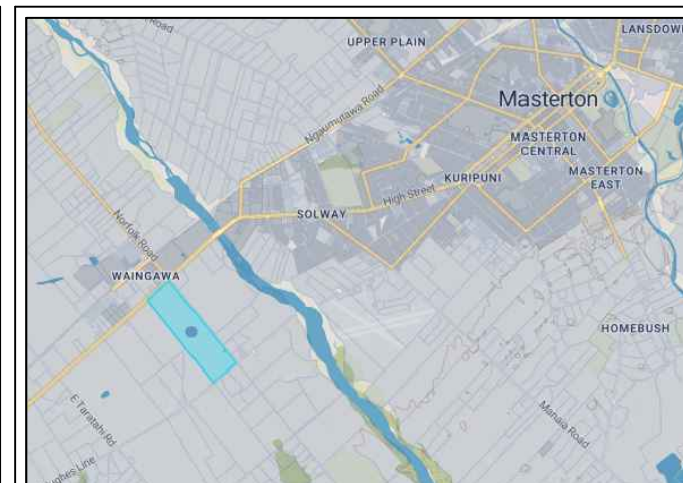
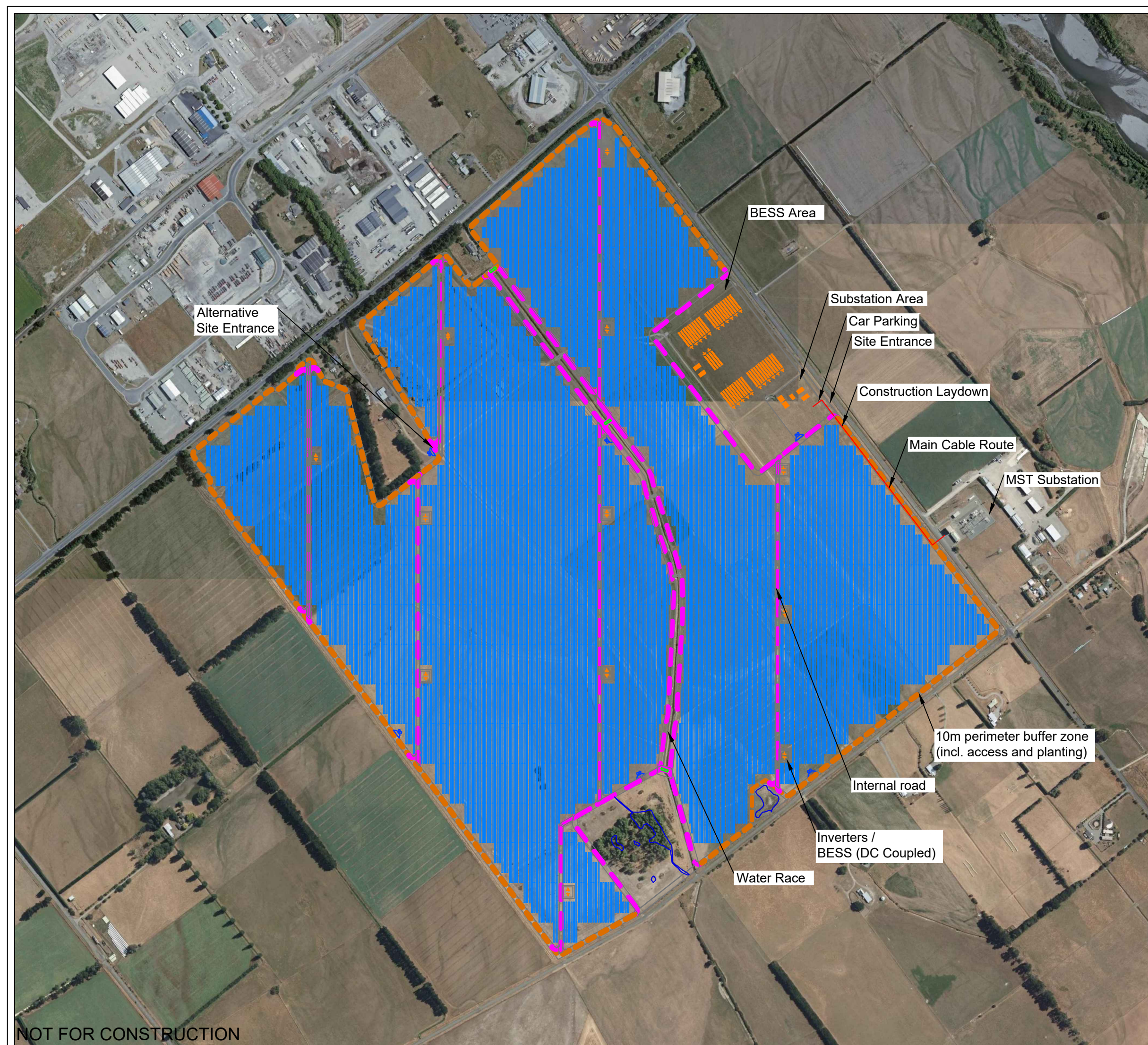




## **APPENDIX 3      APPLICATION PLANS**





Title	Plot Plan
Project	Masterton
Location	Cornwall Road Masterton New Zealand
DC Capacity	100 MW
Annual	143 GWh/Year

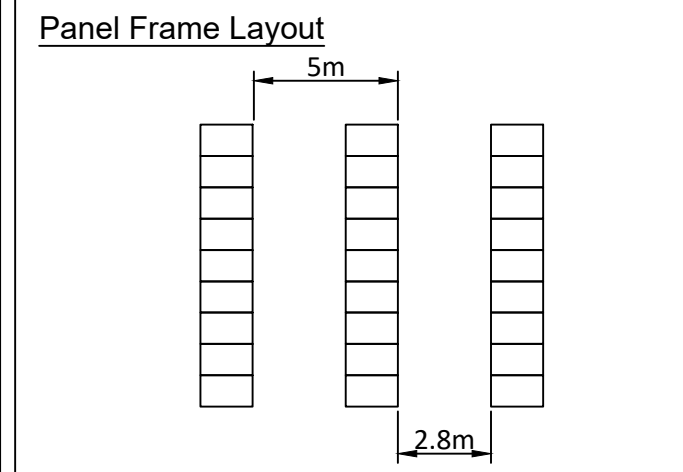
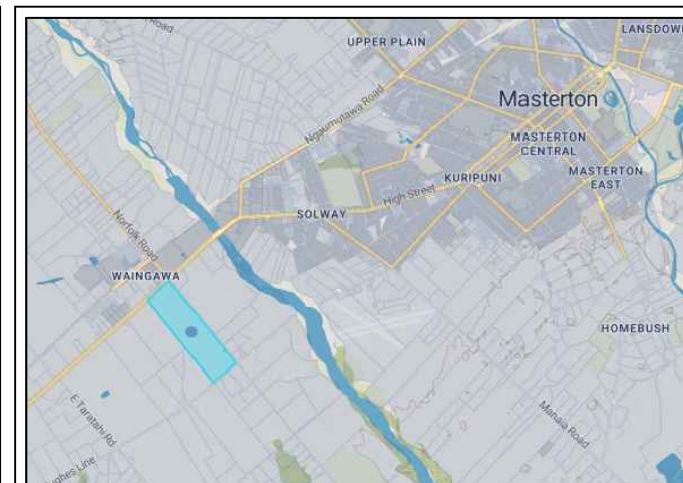


NZ Clean Energy  
 Email: [projects@nzcleanenergy.nz](mailto:projects@nzcleanenergy.nz)  
 Web: [www.nzcleanenergy.nz](http://www.nzcleanenergy.nz)

Drawing #: MST-001  
 Revision #: 2  
 Date: 27 FEB 2024  
 Status: FOR CONSENT APPLICATION  
 Design: SCOTT BURLING  
 Drawn: SCOTT BURLING

NOT FOR CONSTRUCTION





Title	BESS & SWITCHYARD LAYOUT
Project	Masterton
Location	Cornwall Road Masterton New Zealand
DC Capacity	-
Annual kWh	-

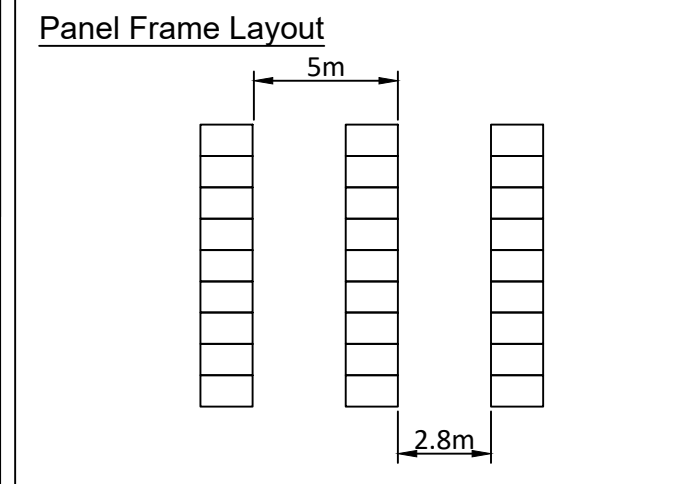
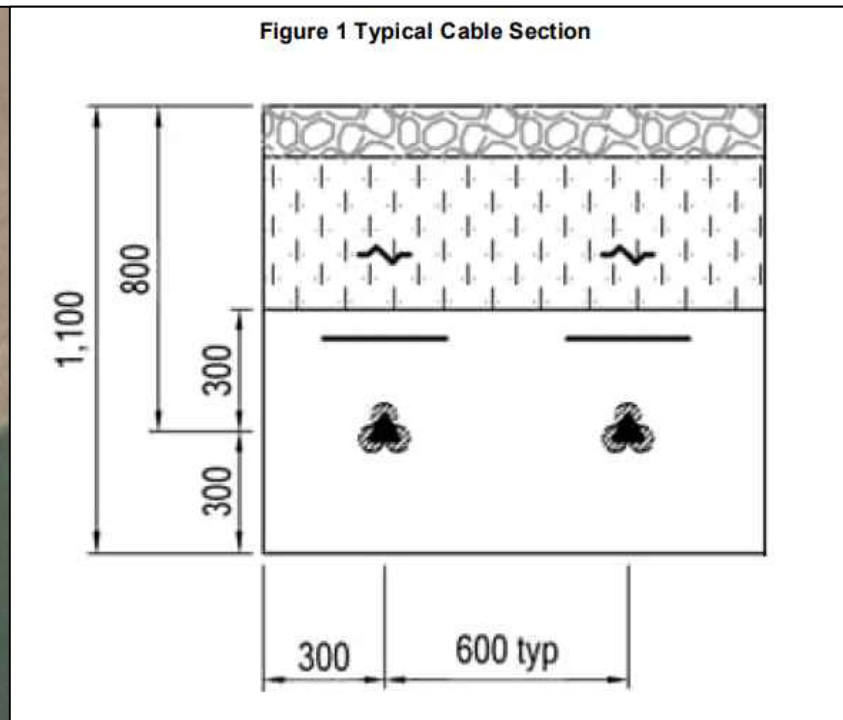
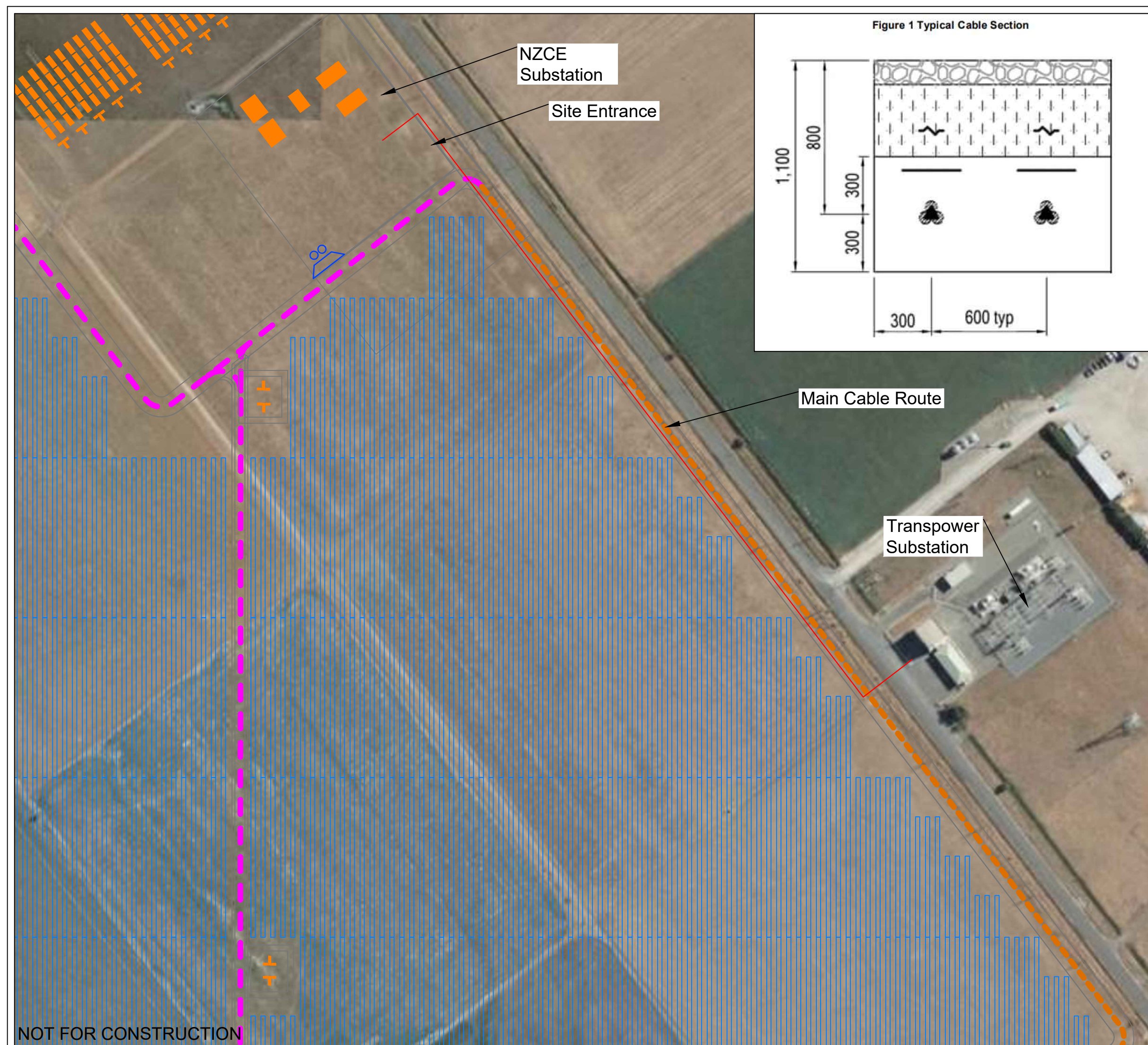


NZ Clean Energy  
 Email: [projects@nzcleanenergy.nz](mailto:projects@nzcleanenergy.nz)  
 Web: [www.nzcleanenergy.nz](http://www.nzcleanenergy.nz)

Drawing #: MST-003  
 Revision #: 2  
 Date: 23 FEB 2024  
 Status: FOR REVIEW BY FIRE SERVICE  
 Design: SCOTT BURLING  
 Drawn: SCOTT BURLING

NOT FOR CONSTRUCTION





Title	Cable Route
Project	Masterton
Location	Cornwall Road Masterton New Zealand
DC Capacity	-
Annual kWh	-



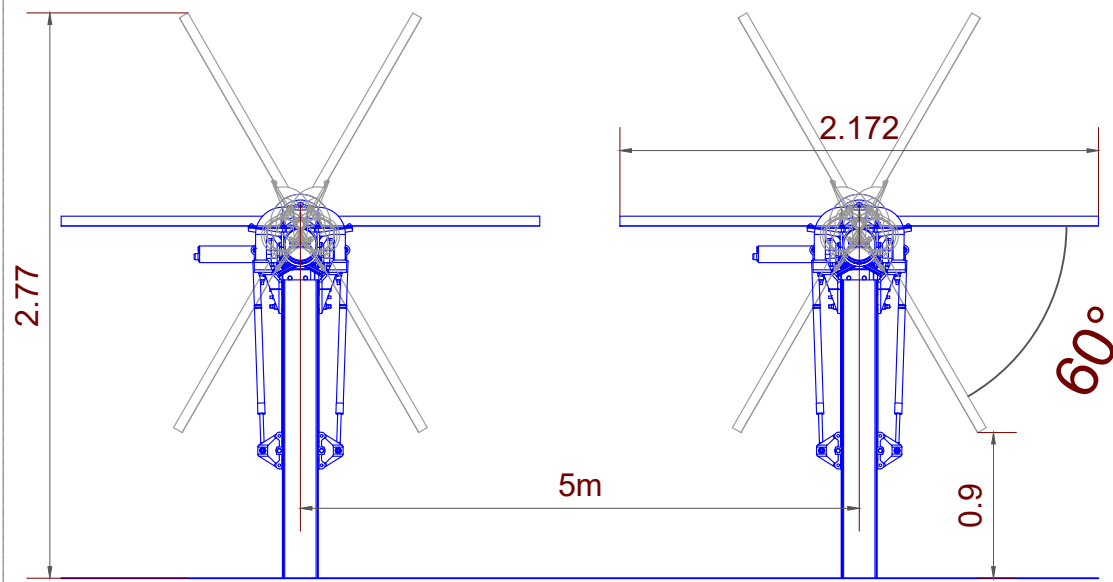
NZ Clean Energy  
 Email: [projects@nzcleanenergy.nz](mailto:projects@nzcleanenergy.nz)  
 Web: [www.nzcleanenergy.nz](http://www.nzcleanenergy.nz)

Drawing #: MST-002  
 Revision #: 2  
 Date: 27 FEB 2024  
 Status: FOR CONSENT APPLICATION  
 Design: SCOTT BURLING  
 Drawn: SCOTT BURLING

NOT FOR CONSTRUCTION



SOLAR MODULE AND MOUNTING EXAMPLE



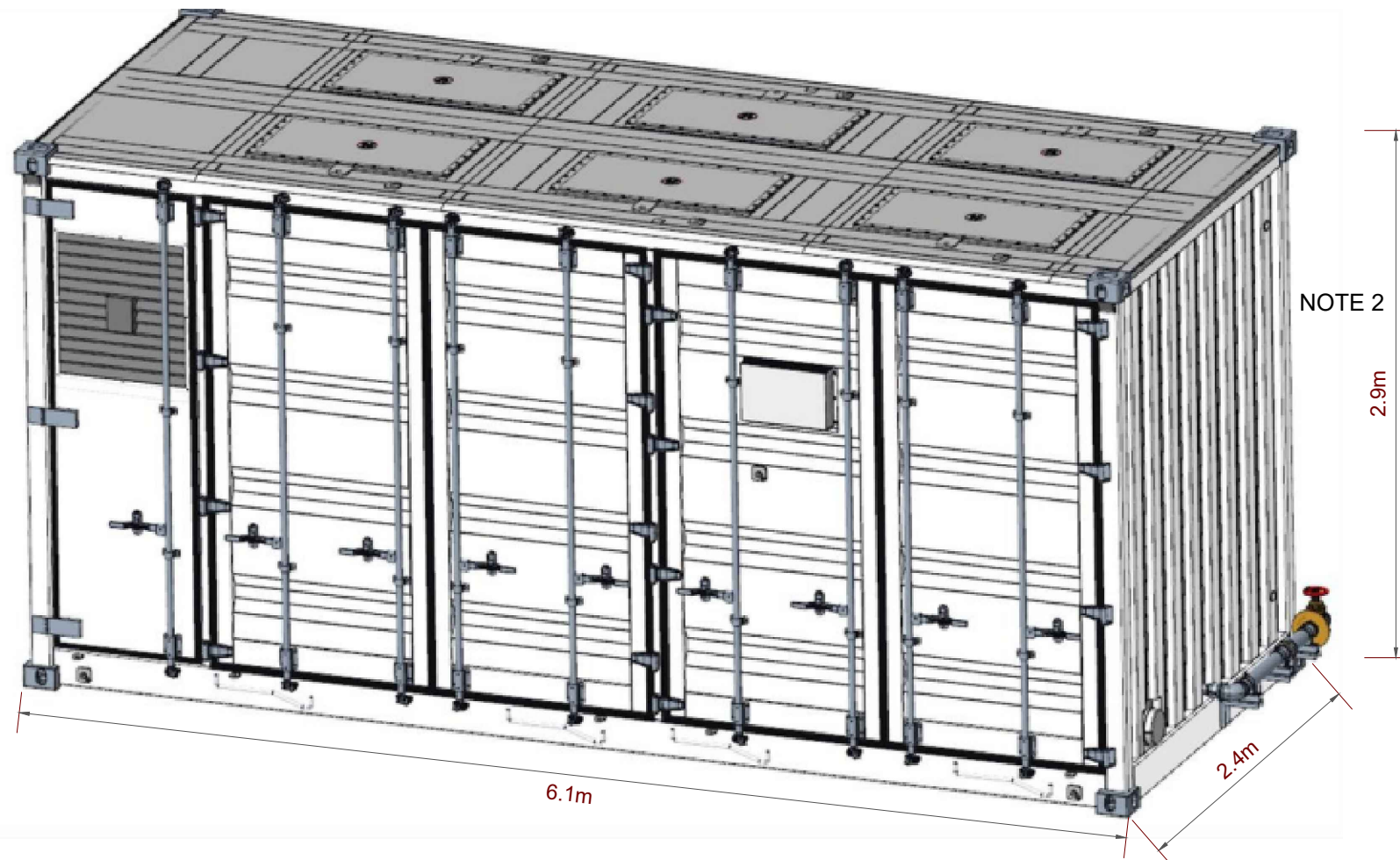
NOTE 1

SOLAR INVERTER UNIT EXAMPLE



NOTE 2  
2.6m

BATTERY ENERGY STORAGE SYSTEM EXAMPLE



NOTE 2

2.9m

6.1m

2.4m

Notes

1. DRAWINGS AND DIMENSIONS ARE INDICATIVE ONLY. DETAILED DESIGN PROCESS AND TENDERING NOT YET COMMENCED. NOT TO BE USED FOR ANY PURPOSE OTHER THAN PLANNING APPROVAL.
2. FOR TOTAL HEIGHT ABOVE GRADE ADD 300-800MM TO ACCOUNT FOR RAISED FOOTING.

Title	Equipment Details
Project	

C:\Users\charl\OneDrive\Desktop\PVCAD\Stage 1 Template\Logo.PNG

NZ Clean Energy  
 Email: [projects@nzcleanenergy.nz](mailto:projects@nzcleanenergy.nz)  
 Web: [www.nzcleanenergy.nz](http://www.nzcleanenergy.nz)